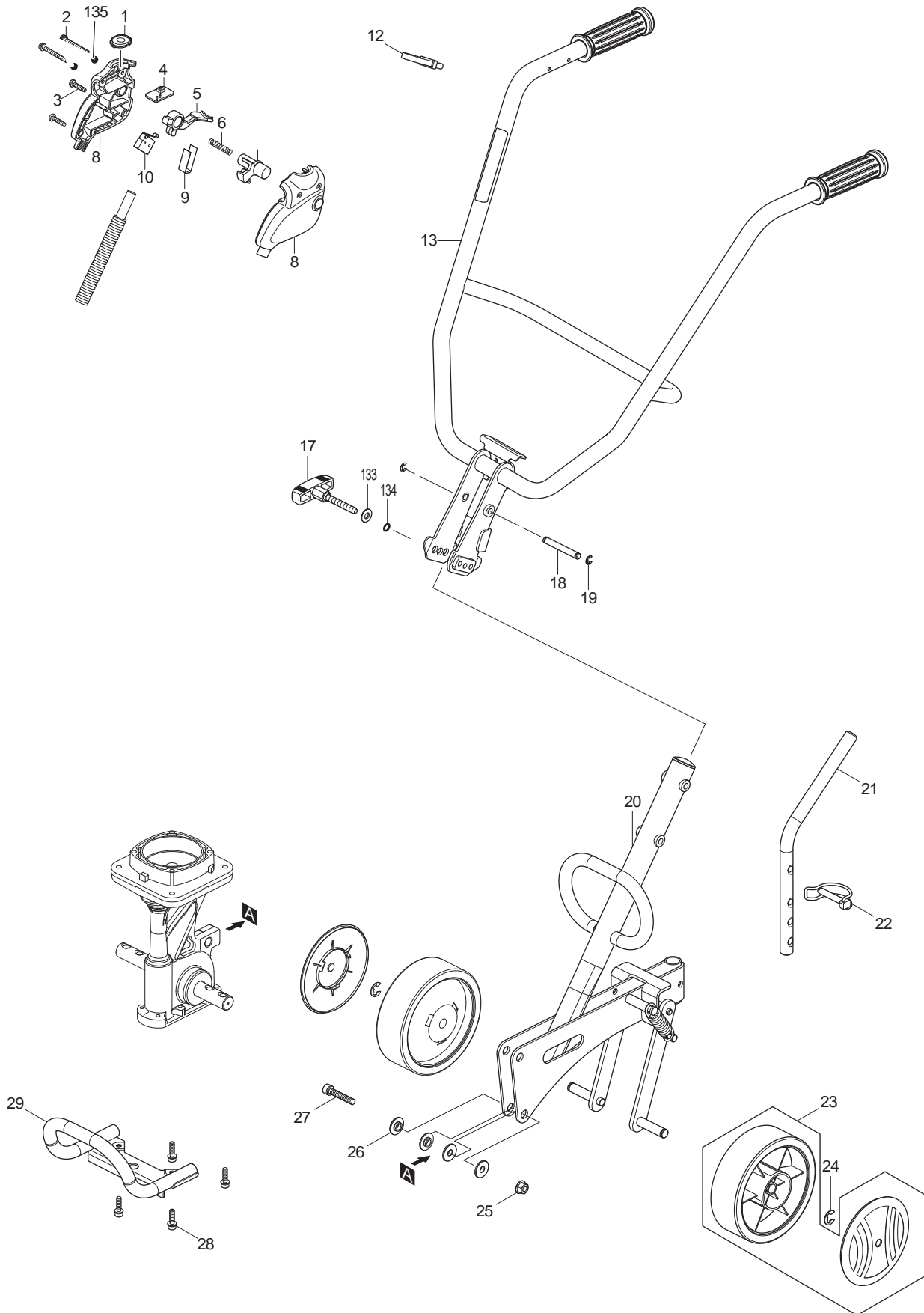
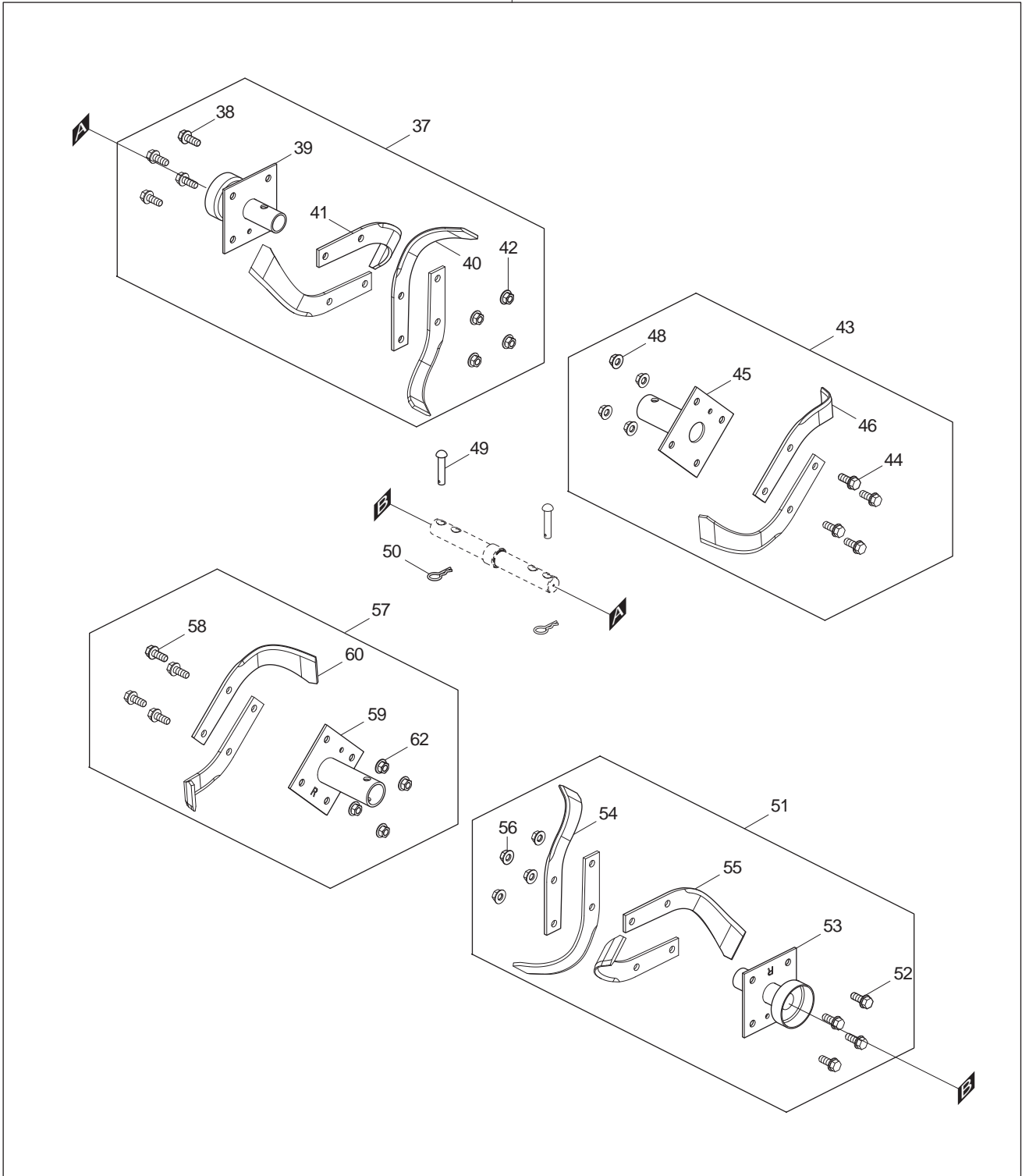
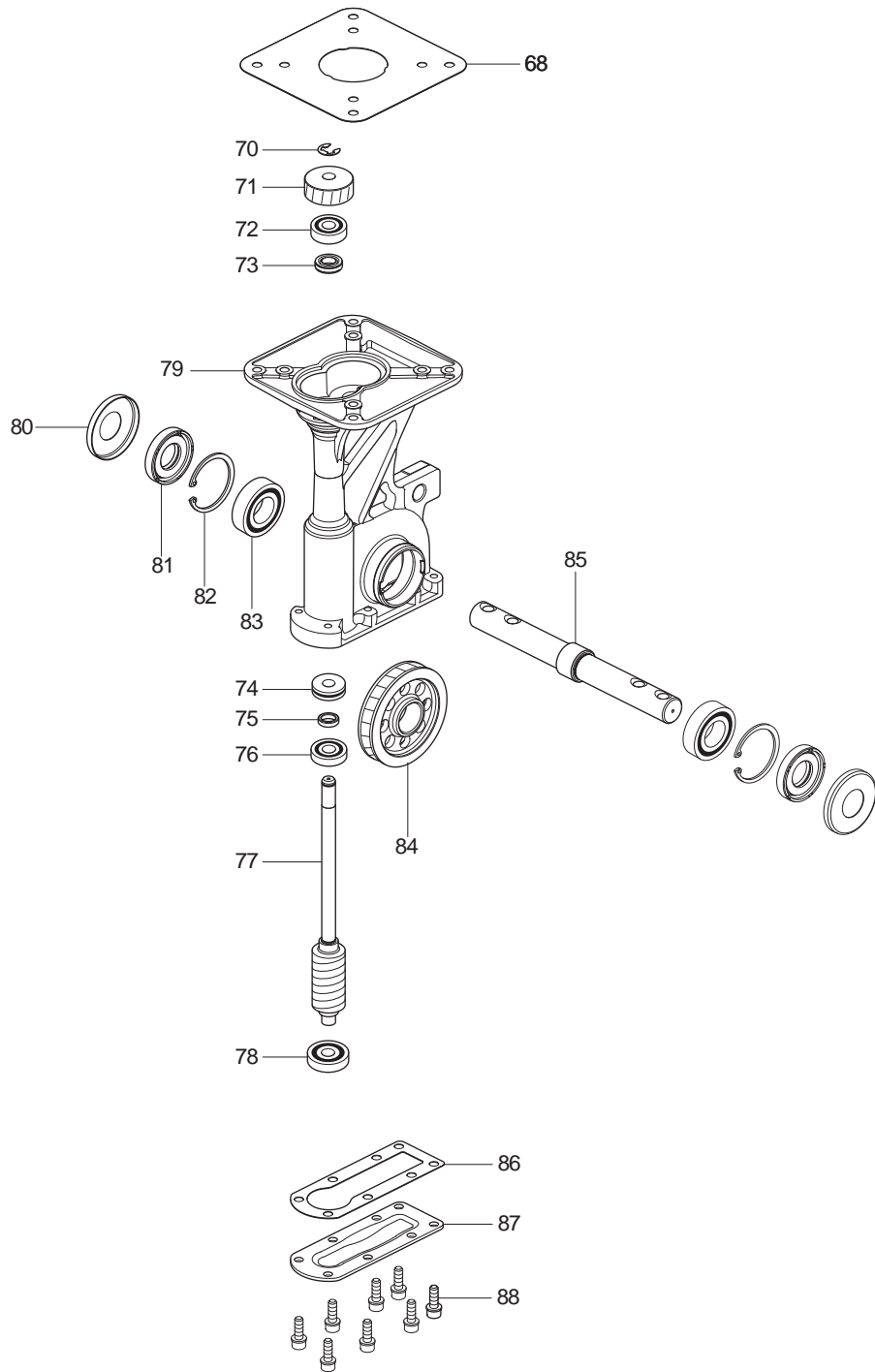


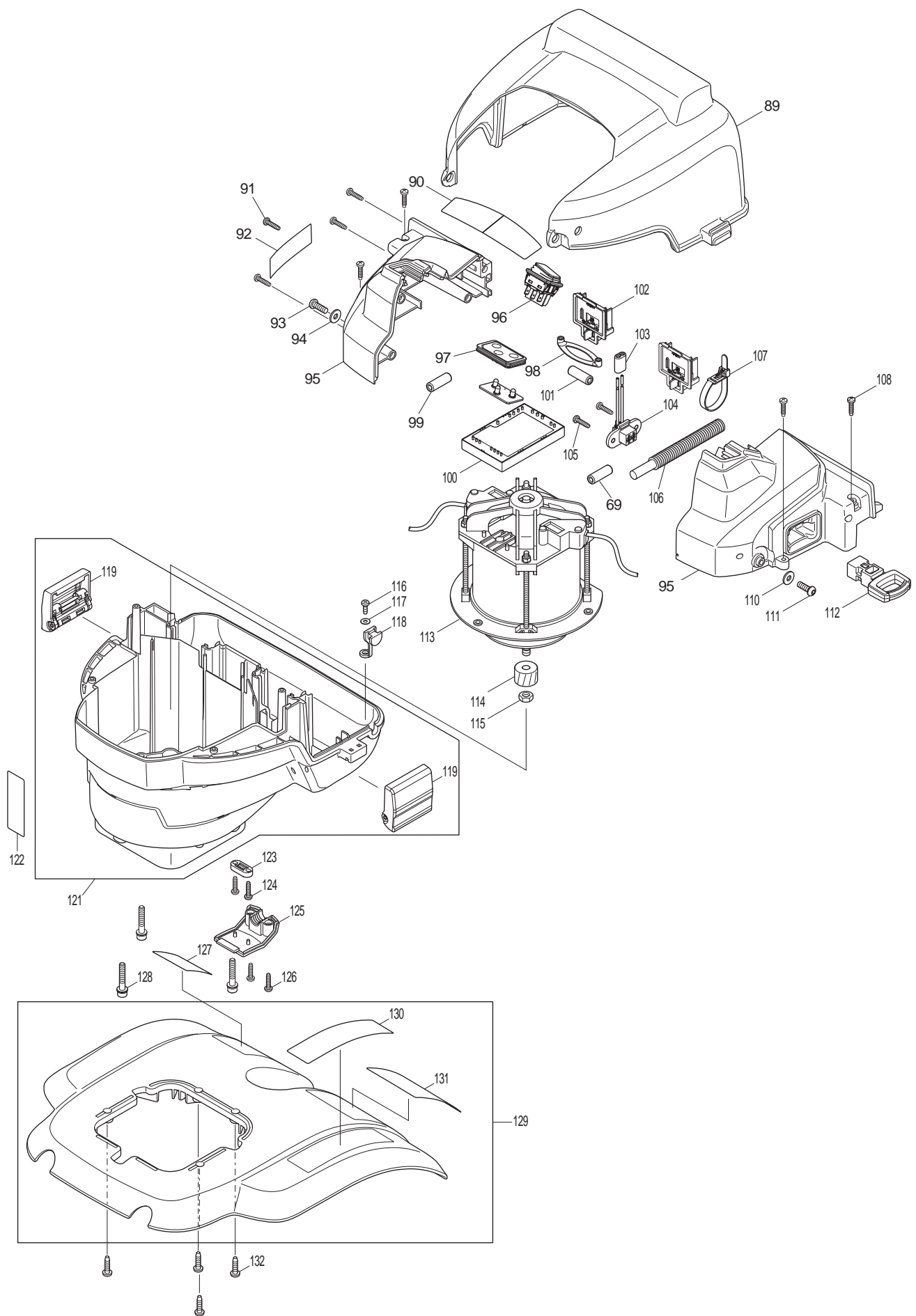


03 - 2013
HKU01ZX2
36V Cultivator W/Battery Converter









Item No	Type	Ref	Part No	Description	Qty	Unit
001			141627-8	SWITCH PLATE COMPLETE	1	PC.
002			911163-6	PAN HEAD SCREW M4X35	2	PC.
003			265995-6	TAPPING SCREW 4X18	2	PC.
004			620155-1	SWITCH UNIT	1	PC.
005			453745-3	SWITCH LEVER	1	PC.
006			233117-6	COMPRESSION SPRING 6	1	PC.
007			453746-1	LOCK OFF BUTTON	1	PC.
008			187349-6	SWITCH BOX SET	1	PC.
009			346607-1	LEAF SPRING	1	PC.
010			650612-5	SWITCH ABS1634549	1	PC.
012			687410-4	BAND	1	PC.
013			141653-7	HANDLE COMPLETE	1	PC.
		INC.	273533-0	GRIP 34	2	PC.
		INC.	898900-4	INDICATION LABEL	1	PC.
017			271615-2	KNOB 64	1	PC.
018			256531-9	PIN 8	1	PC.
019	2		259053-8	STOP RING E-6 (OLD# 961012-7)	2	PC.
020	1		141854-7	FRAME COMPLETE	1	PC.
		INC.	231879-0	TENSION SPRING 13	1	PC.
		INC.	453039-6	CAP 32	1	PC.
		INC.	800N13-3	CAUTION LABEL	1	PC.
	2		142377-8	FRAME COMPLETE	1	PC.
		INC.	231879-0	TENSION SPRING 13	1	PC.
		INC.	453039-6	CAP 32	1	PC.
		INC.	800N13-3	CAUTION LABEL	1	PC.
021			326106-9	BAR	1	PC.
022			126062-1	PIPE PIN ASSEMBLY	1	PC.
023			125372-3	WHEEL ASSEMBLY	2	PC.
024	2		259055-4	STOP RING E-10 (OLD# 259055-4)	2	PC.
025			931402-8	HEX. NUT M8	2	PC.
026			332037-2	RING 8	8	PC.
027			922466-3	HEX.SOCKET HEAD BOLT M8X45	2	PC.
028			922343-9	H.S.H.BOLT M6X25 WITH WR	4	PC.
029			165660-6	FRONT GRIP COMPLETE	1	PC.
036			135516-7	ROTOR ASSEMBLY	1	PC.
		INC.		Item No. 37,43,49-51,57		
037	1		126169-3	ROTOR SHAFT ASSEMBLY A LEFT	1	PC.
		INC.		Item No. 38-42		
	2		126228-3	ROTOR SHAFT ASSEMBLY LEFT	1	PC.
		INC.		Item No. 38-42,44-46,48		
038			265598-6	HEX. BOLT M8	4	PC.
039			165682-6	ROTOR SHAFT COMPLETE A LEFT	1	PC.
040			346521-1	BLADE RIGHT	2	PC.
041			346522-9	BLADE LEFT	2	PC.
042			264067-4	HEX. NUT M8	4	PC.
043			126196-0	* ROTOR SHAFT ASSEMBLY B LEFT - N/L/A	1	PC.
		INC.		* Item No. 44-46,48		
044			265598-6	HEX. BOLT M8	4	PC.
045			165683-4	ROTOR SHAFT COMPLETE B LEFT	1	PC.
046			346522-9	BLADE LEFT	2	PC.
048			264067-4	HEX. NUT M8	4	PC.
049			256532-7	PIN 8	2	PC.
050			259052-0	SNAP PIN 7	2	PC.
051	1		126167-7	* ROTOR SHAFT ASSEMBLY A RIGHT	1	PC.
		INC.		* Item No. 52-56		
	2		126227-5	* ROTOR SHAFT ASSEMBLY RIGHT	1	PC.
		INC.		* Item No. 52-56, 58-60,62		

Item No	Type	Ref	Part No	Description	Qty	Unit
052			265598-6	HEX. BOLT M8	4	PC.
053			165664-8	ROTOR SHAFT COMPLETE A RIGHT	1	PC.
054			346522-9	BLADE LEFT	2	PC.
055			346521-1	BLADE RIGHT	2	PC.
056			264067-4	HEX. NUT M8	4	PC.
057			126195-2	* ROTOR SHAFT ASSEMBLY B RIGHT - N/L/A	1	PC.
		INC.		* Item No. 58-60,62		
058			265598-6	HEX. BOLT M8	4	PC.
059			165665-6	ROTOR SHAFT COMPLETE B RIGHT	1	PC.
060			346521-1	BLADE RIGHT	2	PC.
062			264067-4	HEX. NUT M8	4	PC.
068			442179-5	GASKET	1	PC.
070	2		259054-6	STOP RING E-8 (OLD# 961014-3)	1	PC.
071			227759-6	HELICAL GEAR 18	1	PC.
072			210067-2	BALL BEARING 6000ZZ	1	PC.
073	2		213769-9	OIL SEAL 10	1	PC.
074			211383-5	THRUST BALL BEARING 1024	1	PC.
075			257322-1	RING 10	1	PC.
076			211472-6	BALL BEARING 6000	1	PC.
077			221426-5	WORM GEAR	1	PC.
078			211473-4	BALL BEARING 6200	1	PC.
079			318896-8	MISSION CASE	1	PC.
080			346519-8	CUP	2	PC.
081			213633-4	OIL SEAL 20	2	PC.
082	2		257990-0	RETAINING RING (INT) R-42	2	PC.
083			211474-2	BALL BEARING 6004	2	PC.
084			221425-7	WORM WHEEL 35	1	PC.
085	1		326105-1	DRIVE SHAFT	1	PC.
	2		326330-4	DRIVE SHAFT	1	PC.
086			413156-4	GASKET	1	PC.
087			346520-3	COVER MISSION CASE	1	PC.
088	1		922328-5	H.S.H.BOLT M6X18 WITH WR	8	PC.
	2		266661-8	H.S.H.BOLT M6X18 WITH WR	8	PC.
089			141619-7	BATTERY HOOD COMPLETE	1	PC.
090			898908-8	INDICATION LABEL	1	PC.
091			265995-6	TAPPING SCREW 4X18	4	PC.
092			897281-3	NAME PLATE F/HKU01Z	1	PC.
093			265484-1	HEX. SOCKET HEAD BOLT M6X17	1	PC.
094			253111-2	FLAT WASHER 6	1	PC.
095			187350-1	UPPER HOUSING SET	1	PC.
096			651534-2	SWITCH 1934.3112B	1	PC.
097			141628-6	LENS PLATE COMPLETE	1	PC.
		INC.	213508-7	O RING 38	1	PC.
098			421448-7	RUBBER BAND	1	PC.
100			620154-3	CONTROLLER	1	PC.
102			643849-1	TERMINAL	2	PC.
104			632A04-6	LEAD UNIT	1	PC.
105			265995-6	TAPPING SCREW 4X18	2	PC.
106			699057-2	POWER SUPPLY CORD UNIT	1	PC.
107			687410-4	BAND	1	PC.
108			265995-6	TAPPING SCREW 4X18	4	PC.
110			253111-2	FLAT WASHER 6	1	PC.
111			265484-1	HEX. SOCKET HEAD BOLT M6X17	1	PC.
112			643890-4	KEY	1	PC.
113			629957-2	DC MOTOR	1	PC.
114			227758-8	HELICAL GEAR 13	1	PC.
115			252194-9	HEX. NUT M8	1	PC.
116			266020-6	TAPPING SCREW 4X12	1	PC.

Item No	Type	Ref	Part No	Description	Qty	Unit
117			267099-0	FLAT WASHER 4	1	PC.
118			424507-6	RUBBER CAP	1	PC.
119			162343-9	LATCH F/LOWER HOUSING COM.	2	PC.
121			141651-1	LOWER HOUSING COMPLETE	1	PC.
		INC.	263005-3	RUBBER PIN 6	4	PC.
		INC.		Item No. 119		
122			897516-2	SERIAL NO. LABEL	1	PC.
123			687053-2	STRAIN RELIEF	1	PC.
124			265995-6	TAPPING SCREW 4X18	2	PC.
125			453747-9	CORD COVER	1	PC.
126			265995-6	TAPPING SCREW 4X18	2	PC.
128			266781-8	SOCKET HEAD BOLT M6X35	3	PC.
129			141663-4	FENDER COMPLETE	1	PC.
		INC.		Item No. 130,131		
130			898904-6	MAKITA LOGO LABEL	1	PC.
131			898903-8	CAUTION LABEL	1	PC.
132			266021-4	TAPPING SCREW 5X20	4	PC.
133			232277-1	CONED DISC SPRING 10	1	PC.
134			213026-5	O RING 7	1	PC.
135			941052-1	FLAT WASHER 4 (Added)	1	PC.
C01			873356-2	CARTON F/HKU01ZX2	1	PC.
D01			654509-0	CONNECTOR 2-SD	6	PC.
D02			654510-5	INSULATED CONNECTOR 5.5-SD	4	PC.

ACCESSORIES

- See catalogue or visit www.makita.ca for more accessories information -

A01	1		195850-7	BATTERY CONVERTER BCV02	1	PC.
	2		196810-2	BATTERY CONVERTER BCV03	1	PC.
A02			196037-4	HOLDER 9-19 SET F/BCV01	1	PC.
A03			194874-0	36V LI-ION BATTERY BL3626	1	PC.
A04			DC36RA	CHARGER DC36RA	1	PC.
A05			195512-7	BATTERY CONVERTER BCV01	1	PC.

SERVICE CHANGES

1. Changes on Parts supply

(TI#Y06672)

Item No.	Description	Type 1	Description	Type 2
37	Rotor Shaft Assembly A Left	126169-3	Rotor Assembly Left	126228-3
43	Rotor Shaft Assembly B Left	126196-0	-----	Inc. in above
51	Rotor Shaft Assembly A Right	126167-7	Rotor Assembly Right	126227-5
57	Rotor Shaft Assembly B Right	126195-2	-----	Inc. in above

Type 1

Type 2

